



VERTICAL ACCUMULATORS



Our vertical accumulators are designed for low maintenance and high reliability. They are capable of up to 600 feet of cable storage with an overall height of only 17 feet. Taller accumulators with more storage capacity are available upon request. Our standard accumulators are electrically operated and have a wide range of tension settings. They require a minimal floor space and are equipped with an inlet and outlet sheave and includes a cable clamp. An attractive safety guarding package is available for every size machine.

Standard Features:

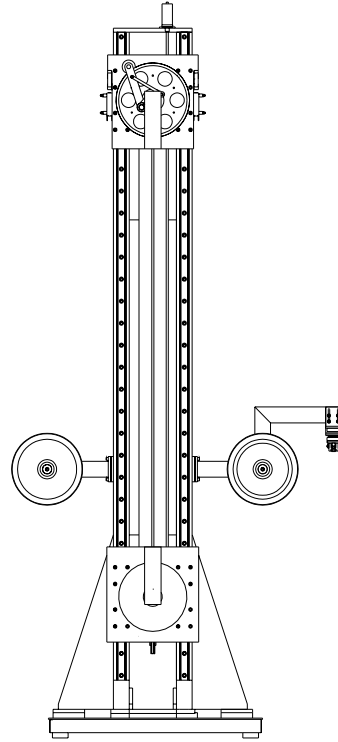
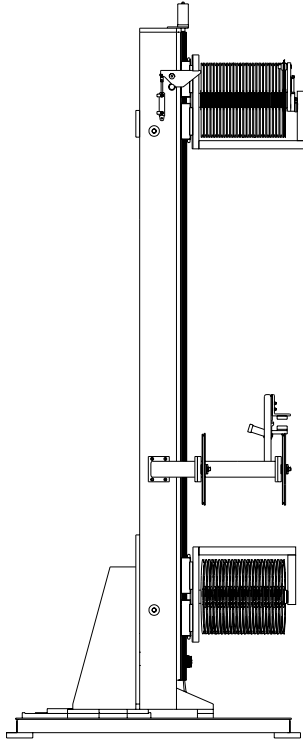
- Rugged design.
- Accommodates a wide range of product types and diameters.
- Entry and exit guide sheaves.
- Entry or exit wire clamp.
- Precision tension control.
- Over-travel and emergency stop limit switches.
- Non-contact potentiometer
- Standard sheave material is UHMW.
- String-up position of sheave assemblies.
- Integrates easily into any process line.
- Suitable for pay-off or take-up applications.

Optional Features:

- Guarding packages.
- Linear transducer for sheave positioning.
- Custom sheave materials and profiles upon request.
- Custom designs available upon request.



VERTICAL ACCUMULATORS



MODEL NUMBER	MAXIMUM STORAGE FT/M	SHEAVE DIAMETER IN/MM	MAXIMUM TENSION LBS/KG	MACHINE HEIGHT FT/M
ACV25-200	200/61.00	4/102 THRU 20/508	25/11.3	17/5.18
ACV25-300	300/91.40			
ACV25-400	400/121.9			
ACV25-500	500/152.4			
ACV25-600	600/182.9			
ACV40-200	200/61.00	4/102 THRU 20/508	40/18.1	17/5.18
ACV40-300	300/91.40			
ACV40-400	400/121.9			
ACV40-500	500/152.4			
ACV40-600	600/182.9			
ACV50-200	200/61.00	4/102 THRU 20/508	50/22.7	17/5.18
ACV50-300	300/91.40			
ACV50-400	400/121.9			
ACV50-500	500/152.4			
ACV50-600	600/182.9			

All specifications are subject to change without notice. Contact factory for up to date specifications. Custom designs are available upon request.