



"At Bartell, Customer Satisfaction is our business."

TUBULAR STRANDER INQUIRY SPECIFICATION SHEET

CUSTOMER: CONTACT NAME: DATE: CONTACT PHONE:

FINISHED PRODUCT CONSTRUCTION: (EX. 1x6x12)

BOBBIN PRODUCT SPECIFICATION: SPECIFY UNITS USED (IN,MM,LB,KG,N)

Table with 2 columns: DIAMETER RANGE, TENSION RANGE. Rows: MINIMUM PRODUCT SPECIFICATIONS, MAXIMUM PRODUCT SPECIFICATIONS.

CORE PRODUCT SPECIFICATION: SPECIFY UNITS USED (IN,MM,LB,KG,N)

Table with 2 columns: DIAMETER RANGE, TENSION RANGE. Rows: MINIMUM PRODUCT SPECIFICATIONS, MAXIMUM PRODUCT SPECIFICATIONS.

FINISHED PRODUCT SPECIFICATION: SPECIFY UNITS USED (IN,MM,LB,KG,N)

Table with 3 columns: DIAMETER RANGE, TENSION RANGE, LAY RANGE. Rows: MINIMUM PRODUCT SPECIFICATIONS, MAXIMUM PRODUCT SPECIFICATIONS.

MACHINE DESCRIPTION:

Blank lines for machine description.

MACHINE REQUIREMENTS:

MECHANICAL LAY ELECTRONIC LAY TAKE-UP REQUIRED YES NO INLINE CORE LETOFF SYSTEM REQUIRED YES NO SOUND PROOFING REQUIRED YES NO PREFORMER REQUIRED YES NO POSTFORMER REQUIRED YES NO

ELECTRICAL REQUIREMENTS: VOLTS: PHASE: FREQUENCY: ISOLATION TRANSFORMER REQUIRED: YES NO

FACTORY CONDITIONS: MIN AIR PRESSURE (PSI)



"At Bartell, Customer Satisfaction is our business."

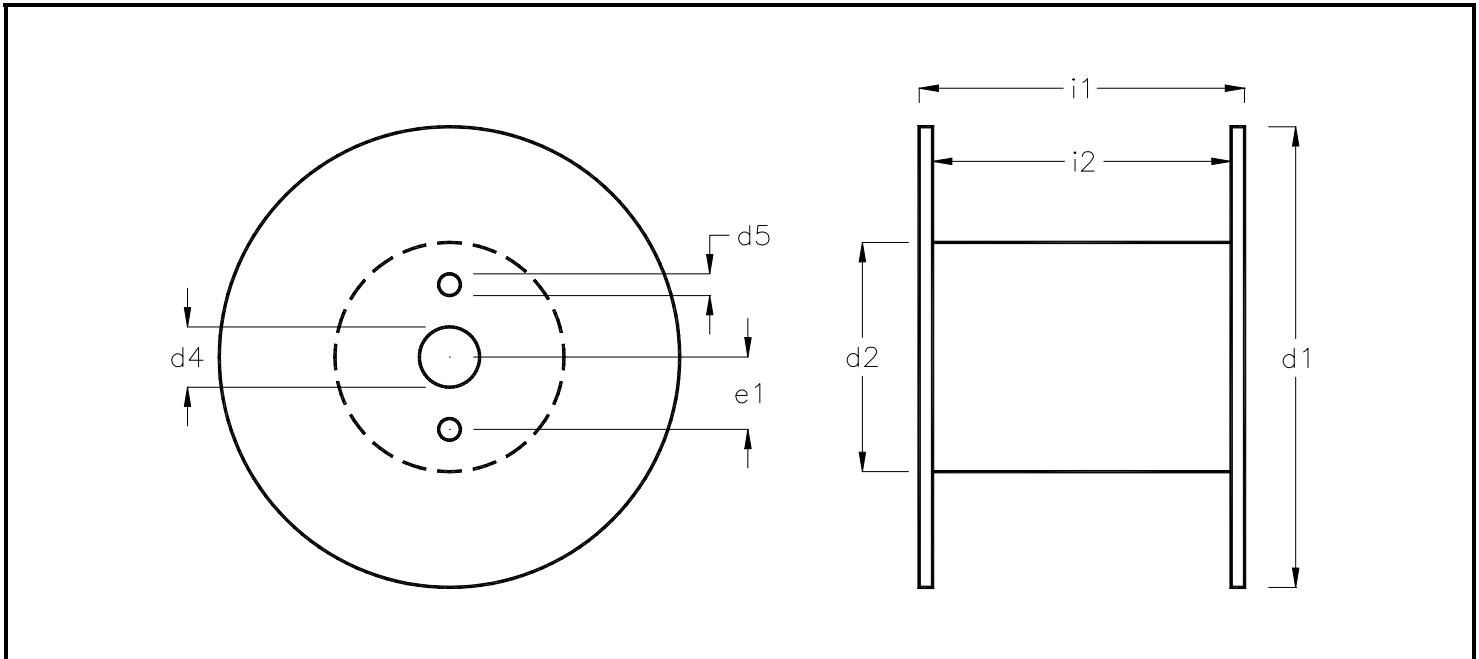
PAINT SPECIFICATION:

MACHINE COLOR
 ROTATING PARTS
 GUARDS
 CABINETS & BOXES

STANDARD	CUSTOM
BARTELL BLUE	
SAFETY ORANGE	
SAFETY YELLOW	
BARTELL BLUE	

SPECIAL REQUIREMENTS:

BOBBIN & CORE SPECIFICATIONS:



ON ABOVE CHART, SPECIFY THE UNITS USED (IN, MM)

	d ₁	d ₂	d ₄	d ₅	i ₁	i ₂	e ₁
SMALLEST BOBBIN SPECIFICATIONS							
LARGEST BOBBIN SPECIFICATIONS							
SMALLEST CORE SPECIFICATIONS							
LARGEST CORE SPECIFICATIONS							

LARGEST FULL BOBBIN MAXIMUM WEIGHT: _____

LARGEST FULL CORE MAXIMUM WEIGHT: _____