



"At Bartell, Customer Satisfaction is our business."

PAY-OFF CUSTOMER INQUIRY SPECIFICATION SHEET

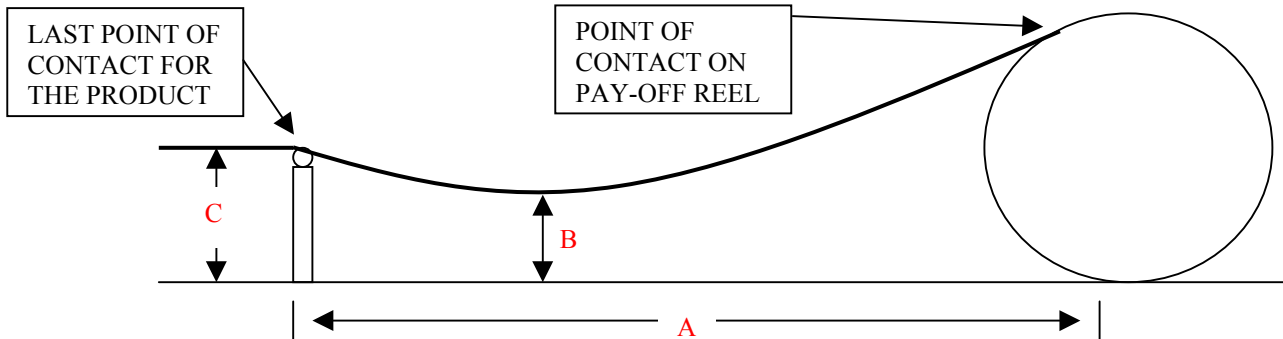
CUSTOMER: _____ CONTACT NAME: _____ DATE: _____
 CONTACT PHONE: _____

PRODUCT DESCRIPTION: _____

	PRODUCT DIAMETER	PRODUCT WEIGHT PER FOOT	LINE SPEED RANGE MIN. TO MAX.	TENSION RANGE MIN. TO MAX. (SEE NOTE BELOW)
MINIMUM PRODUCT SPECIFICATIONS				
MAXIMUM PRODUCT SPECIFICATIONS				

ON ABOVE CHART, SPECIFY THE UNITS USED (IN, MM, LB, KG, FPM, MPM)

NOTE: IF THE MAX TENSION IS UNKNOWN, FILL IN DIMENSIONS A, B, C USING THE DIAGRAM BELOW.



DIMENSIONS: A: _____ B: _____ C: _____

MACHINE STYLE: GANTRY _____ PORTAL _____ CANTILEVER _____ OTHER _____
 NON DRIVEN _____ DRIVEN _____
 IF NON DRIVEN, PNEUMATIC _____ MAGNETIC _____
 TYPE OF BRAKE DISC BRAKE _____ BRAKE _____
 TRAVERSING MODEL _____ STATIONARY MODEL _____

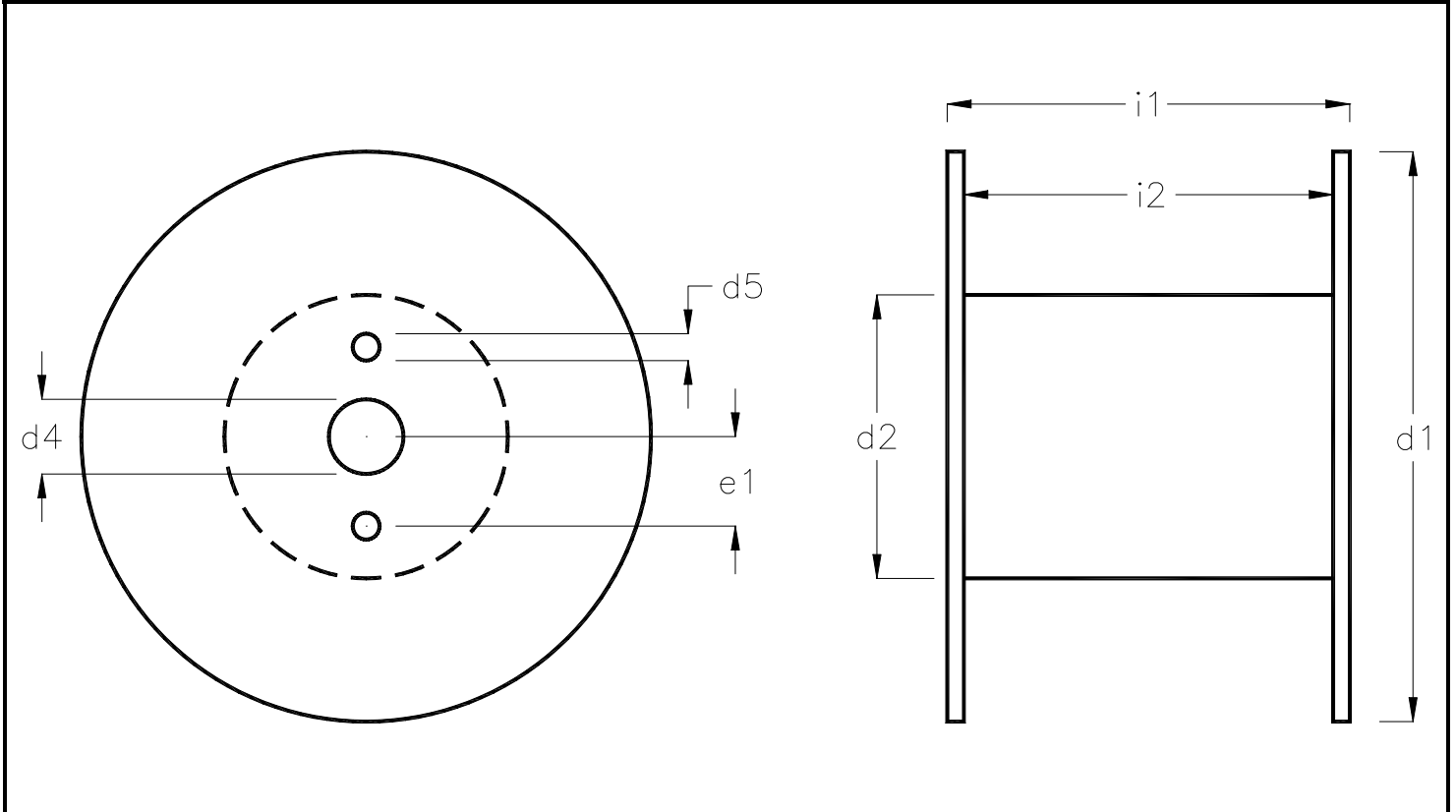
ELECTRICAL REQUIREMENTS: VOLTS: _____ PHASE: _____ FREQUENCY: _____
 ISOLATION TRANSFORMER REQUIRED: YES _____ NO _____
 WILL THE PAY-OFF NEED TO MAINTAIN ZERO SPEED: YES _____ NO _____
 IS A DANCER REQUIRED: YES _____ NO _____

FACTORY CONDITIONS: AIR PRESSURE (PSI) _____ AMBIENT TEMP. _____



"At Bartell, Customer Satisfaction is our business."

REEL SPECIFICATIONS:



	d_1	d_2	d_4	d_5	i_1	i_2	e_1
SMALLEST REEL SPECIFICATIONS							
LARGEST REEL SPECIFICATIONS							

ON ABOVE CHART, SPECIFY THE UNITS USED (IN, MM)

LARGEST FULL REEL MAXIMUM WEIGHT: _____

PAINT SPECIFICATION:

MACHINE COLOR
 ROTATING PARTS

 GUARDS

 CABINETS & BOXES

STANDARD	CUSTOM
BARTELL BLUE	
SAFETY ORANGE	
SAFETY YELLOW	
BARTELL BLUE	

SPECIAL REQUIREMENTS:

